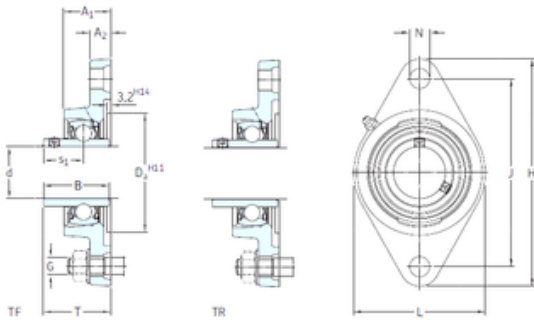




Huaxin Bearing Co., Ltd

SKF FYTB 30 TR bearing units



Bearing No. FYTB 30 TR

Bore Diameter	30 mm
d	30 mm
Da	76,2 mm
s1	22,2 mm
A1	32,5 mm
B	38,1 mm
G	10 mm
H	141,5 mm
J	116,5 mm
L	83 mm
N	11,5 mm
T	42,2 mm
A2	13 mm
Weight	0,93 Kg
Basic dynamic load rating (C)	19,5 kN
Basic static load rating (C0)	11,2 kN
Fatigue load limit (Pu)	0,475
Category	Bearings
Inventory	0.0
Manufacturer Name	SKF
Minimum Buy Quantity	N/A
Weight / Kilogram	0.2
Product Group	M06110
Housing material	Cast iron
D _a	76.2 mm
D _{b1}	77 mm

FYTB 30 TR Bearing 2D drawings and 3D CAD models



Huaxin Bearing Co., Ltd

D_{b2}	83 mm
A	32.5 mm
A_1	13 mm
A_3	3.2 mm
A_5	20 mm
B_4	5 mm
s_1	22.2 mm
R_G	1/4-28 UNF
R_1	21 mm
R	45 °
D_N	6.5 mm
SW_N	7 mm
G_N	1/4-28 SAE-LT
J_6	98.5 mm
J_7	12.5 mm
N_4	2 mm
Basic dynamic load rating C	19.5 kN
Basic static load rating C_0	11.2 kN
Fatigue load limit P_u	0.475 kN
Limiting speed	3800 r/min
Mass bearing unit	0.84 kg
Thread grub screw G_2	M6x0.75
Hexagonal key size for grub screw N	3 mm
Recommended tightening torque for grub screw	4 N · m
Recommended diameter for attachment bolts, mm G	10 mm
Recommended diameter for attachment bolts, inch G	0.375 in
Housing	FYTB 506 M
Bearing	YAR 206-2RF
End cover	ECY 206



Huaxin Bearing Co., Ltd