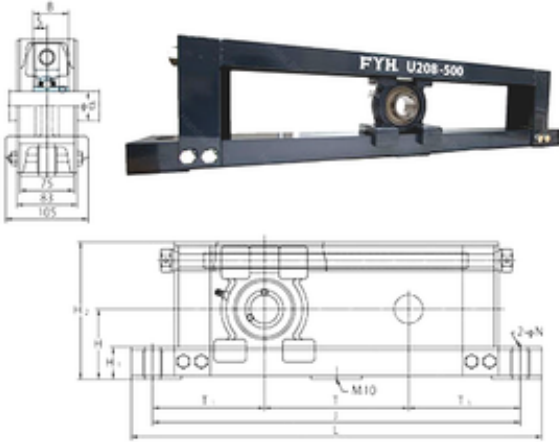




# Huaxin Bearing Co., Ltd

## FYH UCTU314-800 bearing units

Bearing No. UCTU314-800



UCTU314-800 Bearing 2D drawings and 3D CAD models

Bore Diameter	70 mm
Width	78 mm
d	70 mm
T1	200 mm
B	78 mm
H	150 mm
H1	55 mm
H2	295 mm
J	1200 mm
L	1260 mm
N	22 mm
S	33 mm
T	800 mm
Bolt (G)	M18
Weight	51 Kg
Basic dynamic load rating (C)	104 kN
Basic static load rating (C0)	68,2 kN