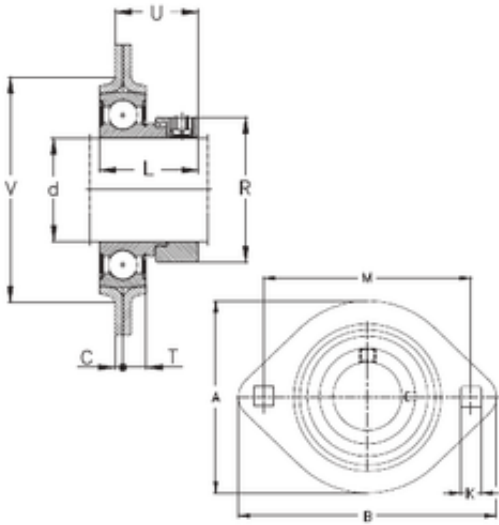




Huaxin Bearing Co., Ltd



RAT35 Bearing 2D drawings and 3D CAD models

NKE RAT35 bearing units

Bearing No. RAT35

Bore Diameter	35 mm
d	35 mm
V	81 mm
U	31,5 mm
A	93,7 mm
B	123 mm
C	2,5 mm
K	10,5 mm
L	38,9 mm
M	100 mm
R	51 mm
T	10,5 mm