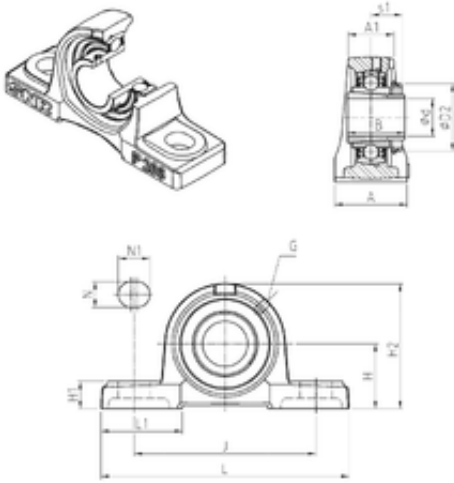




Huaxin Bearing Co., Ltd



SNR UKP319H bearing units

Bearing No. UKP319H

Bore Diameter	85 mm
d	85 mm
s1	52 mm
A	120 mm
A1	75 mm
B	90 mm
D2	125 mm
H	125 mm
H1	45 mm
H2	250 mm
J	360 mm
L	470 mm
L1	125 mm
N	36 mm
N1	50 mm
Thread (G)	M10x1
Weight	30,8 Kg
Basic dynamic load rating (C)	156 kN

UKP319H Bearing 2D drawings and 3D CAD models