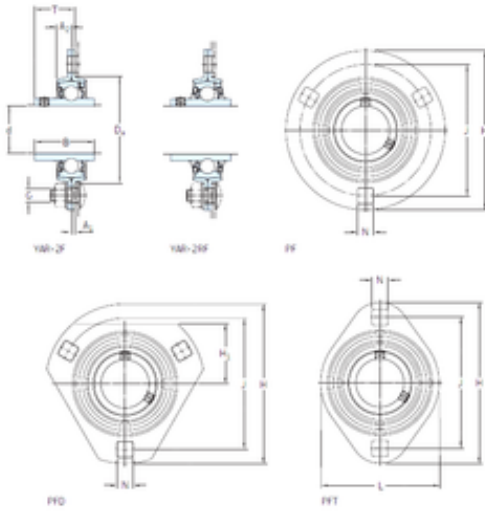




Huaxin Bearing Co., Ltd



PF 40 FM Bearing 2D drawings and 3D CAD models

SKF PF 40 FM bearing units

Bearing No. PF 40 FM

Bore Diameter	40 mm
d	40 mm
Da	91 mm
A1	3,5 mm
B1	43,7 mm
G	12 mm
H	148 mm
H1	– mm
J	119 mm
L	–
N	13,5 mm
T	36,2 mm
A2	10 mm
Weight	1,2 Kg
Basic dynamic load rating (C)	30,7 kN
Basic static load rating (C0)	19 kN
Housing material	Pressed steel
A ₁	3.5 mm
A ₂	10 mm
B	29.7 mm
B ₄	6.75 mm
D _a min.	87 mm
s ₁	32.7 mm
Basic dynamic load rating C	30.7 kN
Basic static load rating C ₀	19 kN
Fatigue load limit P _u	0.8 kN



Huaxin Bearing Co., Ltd

Permissible radial housing load max.	7.5 kN
Mass unit	1.3 kg
Thread grub screw G ₂	M10x1
Hexagonal key size for grub screw N	5 mm
Recommended tightening torque for grub screw	16.5 N · m
Recommended diameter for attachment bolts, mm G	12 mm
Recommended diameter for attachment bolts, inch G	0.5 in
Bearing	YET 208
Housing	PF 80