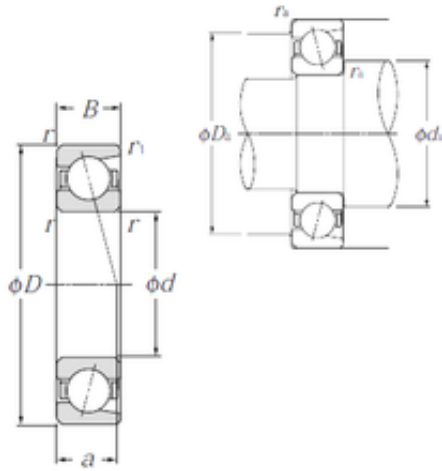




Huaxin Bearing Co., Ltd

110 mm x 150 mm x 20 mm NTN 7922C angular contact ball bearings



7922C Bearing 2D drawings and 3D CAD models

Bearing No. 7922C

Size	110x150x20 mm
Bore Diameter	110 mm
Outer Diameter	150 mm
Width	20 mm
d	110 mm
D	150 mm
B	20 mm
C	20 mm
Angle (°)	15 °
a	27,5 mm
r min.	1,1 mm
r1 min.	0,6 mm
Weight	0,843 Kg
Basic dynamic load rating (C)	54,5 kN
Basic static load rating (C0)	63,5 kN
(Grease) Lubrication Speed	6 200 r/min
(Oil) Lubrication Speed	8 300 r/min